

EL[®]MARK

The Brand of Electricity

STELLAR LED PANEL SQUARE SURFACE

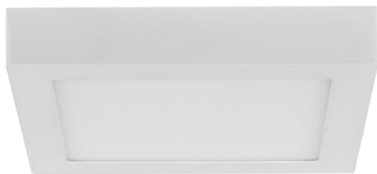
GENERAL INFORMATION »

- ∴ Rated voltage: 230V/50-60Hz
- ∴ Power: 18W;24W
- ∴ Power supply: Control gear; DC device- driver
- ∴ Colour temperature: 4000K
- ∴ LED source: SMD2835
- ∴ Colour: White
- ∴ Body: Aluminium
- ∴ Beam angle: 120°
- ∴ Colour rendering index: Ra≥80
- ∴ Switch on/off: >10000
- ∴ Average lifetime: 15000h
- ∴ Starting time: <0,5s
- ∴ Power factor: $\lambda > 0,55$
- ∴ Installation: surface
- ∴ Protection against dust and moisture: IP40
- ∴ Available in variant with an emergency kit



FEATURES »

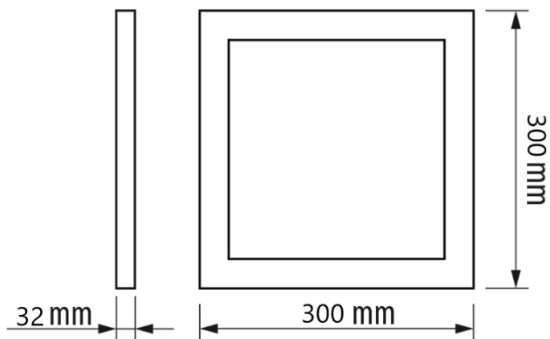
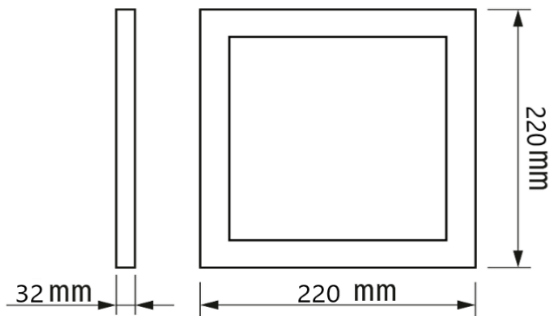
- ∴ Completely replace traditional fluorescent lighting
- ∴ Safety, low voltage operation
- ∴ Emit a very pleasant and even light with very low glare factor due to the diffusion lens
- ∴ Low power consumption
- ∴ Instant light with maximum luminous flux
- ∴ Environmentally friendly - do not emit mercury and lead
- ∴ No ultraviolet and infrared rays
- ∴ Resistant to shock and vibration
- ∴ Suitable for home, offices, halls, shops, hospitals



PRODUCT DETAILS »

Catalogue number	Catalogue number with Emergency kit	Dimmable	Watt (W)	Whole fixture lumens (lm)	Colour temp. (K)	Colour body
99XLED969	99XLED969E	-	18	1350	4000	white
99XLED970	99XLED970E	-	24	1800	4000	white

DIMENSIONS »



Catalogue number	Length (mm)	Width (mm)	Height (mm)
99XLED969	220	220	32
99XLED969E	220	220	32
99XLED970	300	300	32
99XLED970E	300	300	32

LED EMERGENCY KIT SPECIFICATIONS »



General information »

- ∴ Voltage: AC85-265V 50Hz
- ∴ Emergency Output: 3-40W
- ∴ Emergency Time: 2hrs (120mins)
- ∴ Battery: 3.7V 2400mAh
- ∴ Emergency Switching Time: <2s
- ∴ AC Fuse: 250V 1A
- ∴ DC Fuse: 250V 5A
- ∴ Luminous Flux: >100lm
- ∴ Light Source: LED
- ∴ Working temperature: -10°C +55°C
- ∴ IP Rate: IP30

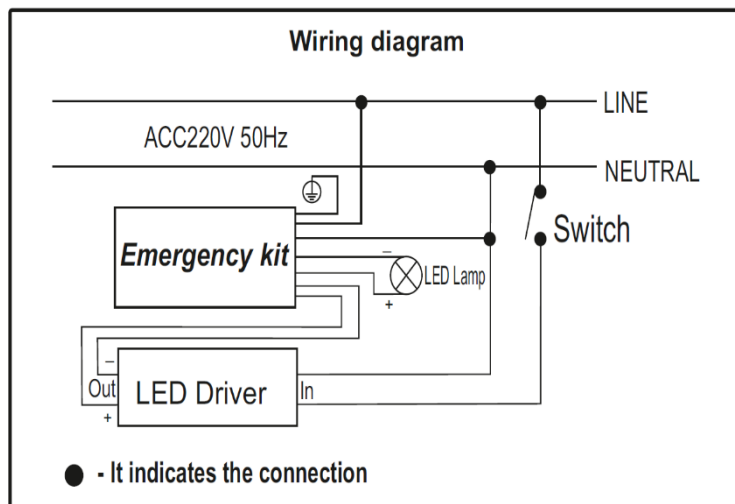


58mm



130mm

22mm



[ADDITIONAL INFORMATION »](#)

Catalogue number	Barcode	Packing/Box (pcs)
99XLED969	3800131218513	1/20
99XLED970	3800131218520	1/20
99XLED969E	3800131234889	1/20
99XLED970E	3800131234551	1/20

